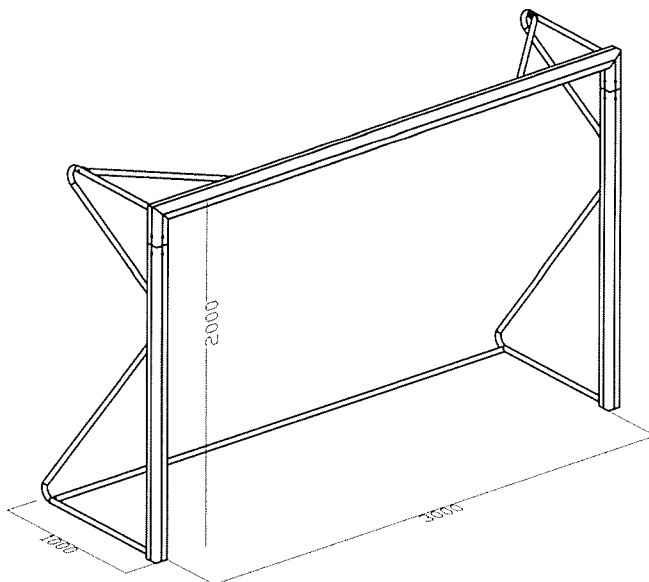


ART. 7001 STANDARD ALUMINIUM HANDBALL GOAL, SECTION 80 X 80 MM. PORTABLE, IN ACCORDANCE TO UNI EN 749:2005.



This handball goal is in accordance to UNI EN 749:2005 equipment for handball playground - handball goals - functionality and safety requirements, test methods.

UNI EN 749 specify requirements of functionality and safety for 2 handball goals types.

The standard is apply to the handball goals, indoor football and hockey used for indoor coaching and matches.

Our handball goal art. 7001 correspond to the type 2 "portable handball goal.

PRODUCT DESCRIPTION

Standard aluminium handball goal, squared section 80x80 mm. To make the football goal even more fixed and hardy, angles are welded and the junctions are made of higher thickness of aluminium. Equipped of hot galvanized angles net supports and plastic fastens for net fixing.

WARNINGS

- Before starting the assembly or use the system, read carefully instructions and verify the presence of all the components.
- This system has been designed exclusively for handball not for others uses;
- handball goals has to be always insured against overturning;
- Periodically control general condition and safety of the system;
- Do not climb on the handball goal structure and net;
-

MAINTENANCE

- Once a year, control that all the fixings are well closed.
- Once a year control the condition of net's fastens, eventually provide to the replacement.
- Once a year control the handball goal condition.

In case of structural failures or deformations, breaks or anomalies in general, contact immediately the installer or the dealer.

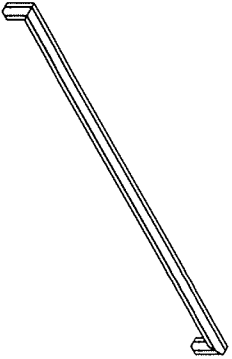
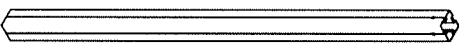
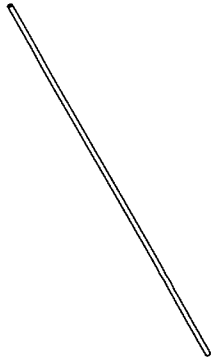

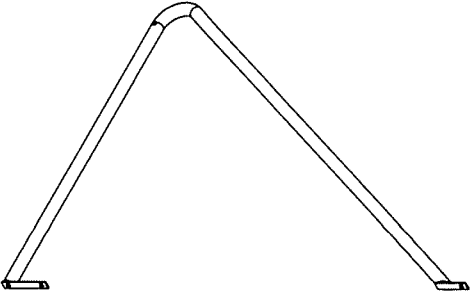
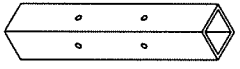
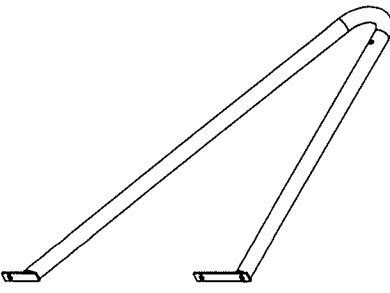
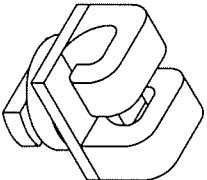

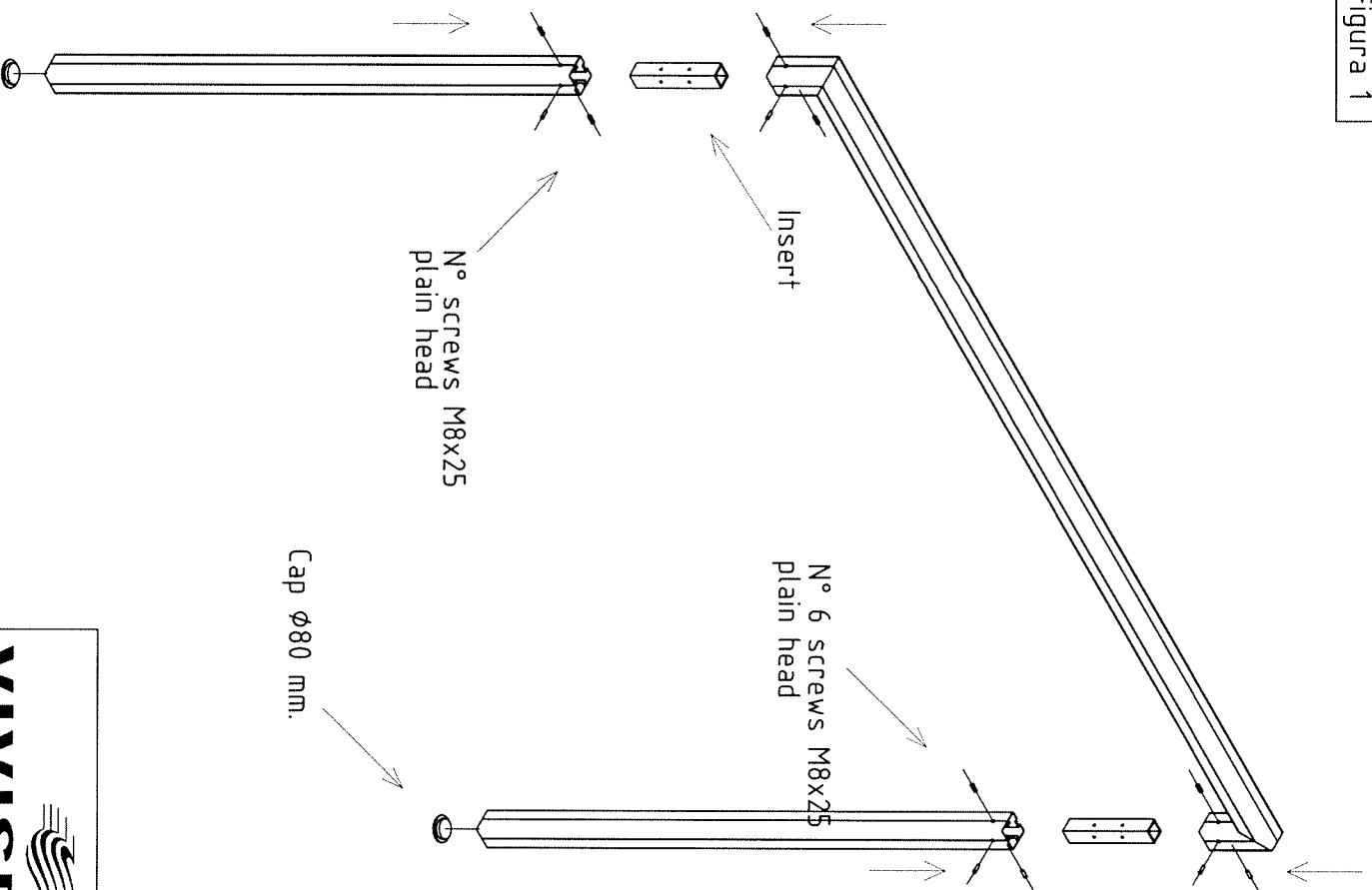
 <p>Crossbar</p>	 <p>Post</p>	<p>LIST OF COMPONENTS FOR 2 GOALS</p> <ul style="list-style-type: none"> n° 2 Crossbars n° 4 posts n° 4 Net lower supports n° 4 Net upper supports n° 4 Reinforcements for upper net supports n° 2 bars junction for lower supports n° 4 caps diam. 80 mm n° 60 (+2 for replacement) fastens for net fixing; n° 4 inserts for junctions post-crossbar n° 20 screws M8x20 rounded head n° 8 screws M8x45 plain head n° 24 screws M8x25 plain head n° 24 washers diam. 8 mm n° 24 nuts M8
 <p>Junction bar for lower support</p>	 <p>Reinforcement for support</p>	
 <p>Net lower support</p>	 <p>Insert junction post-crossbar</p>	
 <p>Net upper support</p>	 <p>Net fasten</p>	
 <p>VIVISPORT attrezzature sportive</p>		<p>STANDARD ALUMINIUM HANDBALL GOAL</p> <p>Art. 7001</p> <p>Data: Aggiornamento n° 0</p> <p>Pagina: 2/4</p>

Figura 1



ASSEMBLY INSTRUCTION:

- Apply posts caps (Fig. 1)
- Fix post-crosbar junction without closing to the end screws Fig. 1.
- Insert in to the slot screws M8x20 (Fig.3)
- Fix the crosbar to the posts closing well all the screw of junction. (Fig. 1)
- Fix net lower support (Fig. 4)
- Fix the junction bar of the lower net support (Fig. 4)
- Fix the upper support; (Fig. 4)
- Fix reinforcement of net support; (Fig. 3)
- Apply in the slot all the net fastens of posts and crossbars, in a distance of 25 cm. each other. 30 fastens each goal (Fig. 2)
- Anchor goals to the ground fixing screws and rods (not included) in correspondance of the lower net support holes (Fig. 3)

IMPORTANT:

To avoid overturning of the goal, anchor always to the ground with anchors appropriate of the type of the ground. We suggest to use steel anchors M8 12mm. - 60 mm deep.

Figura 2

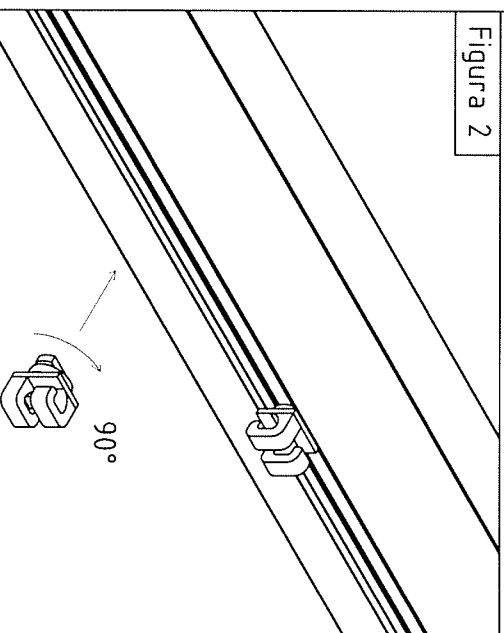
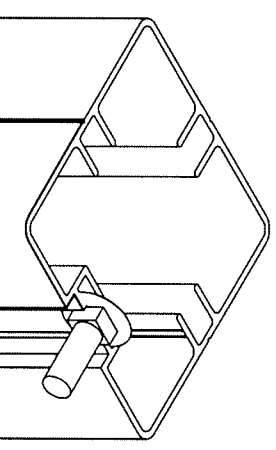


Figura 3

Insert screws in the slot as the draw below
 n° 2 screws M8x20 rounded head for crosbar
 n° 4 screws M8x20 rounded head for post
 the cap has to be insert after all the screws are inside the slot.



VIVISPORT
 attrezzature sportive

STANDARD ALUMINIUM HANDBALL GOAL

Art. 7001

Data:
 Aggiornamento n° 0

Pagina: 3/4

Figura 4

